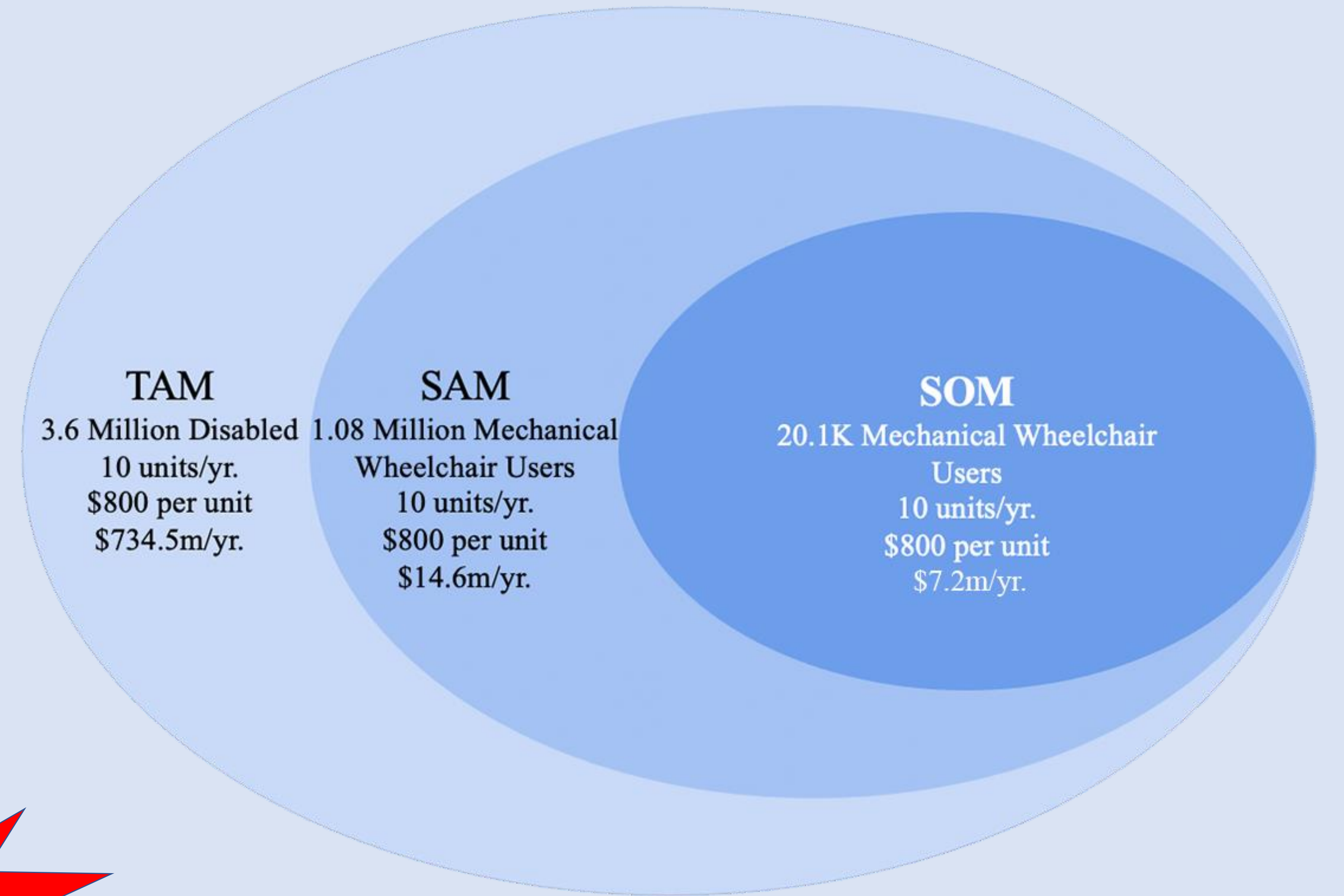




VERSA CHAIR

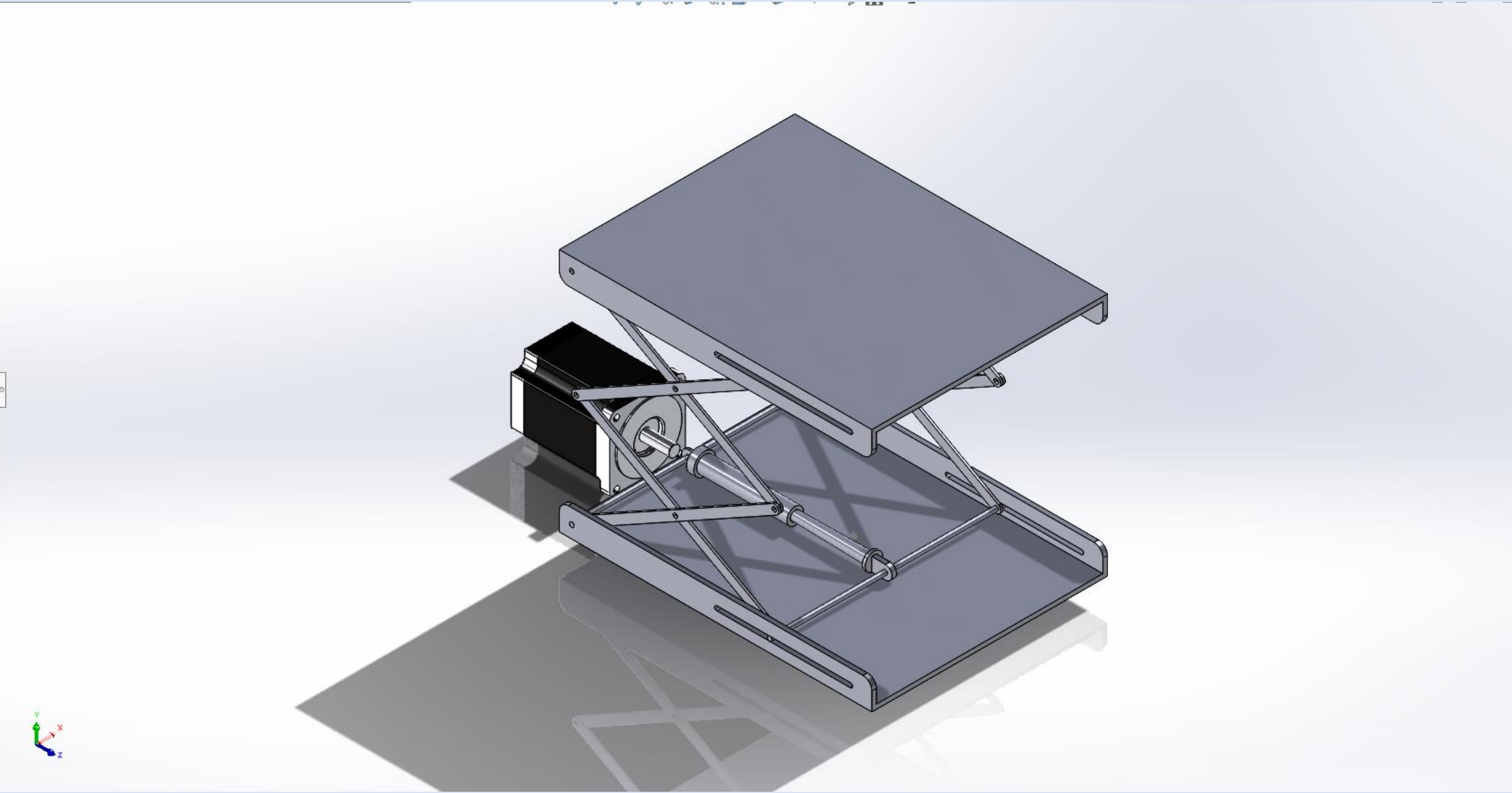
Advanced wheelchair technology

Dominic Gallant, Brendan Hosey, Tripanne Manuel, Andrew Modesitt, Yonny Morales Perez, Michael Stanley



Overall chair design (top left)

Adjustable Back Seat (top right)



It is a battery operated, motorized chair that lifts and lowers patients to help them get into/out of bed.

**MSRP:
\$800**

Market and Revenue Goal:

Our goal is to capture 1-2% of the wheelchair market.
Our expected revenue is \$7.2m within 3 years

Product Description

Our wheelchair helps disabled patients who need assistance into their beds/cars with the modifications built into the chair. It will allow them to move individually without the need of another person. Our chair does more compared to basic wheelchairs that just transport a patient from point A to point B.

Feature	Function	Benefit
Lift	* Lifts the seat to assist user when needing to get up	* Gives user assistance / makes it easier to get up
Adjustable Leg Rest	* Lift the leg rest up while trying to slide back, giving more assistance as needed	* Makes it easier to slide back into bed
Adjustable Back Seat	* Folds down to become flat and aligned with seat	* User can easily slide out of chair from different angles
Adjustable Arm Rest	* Arm rest can be adjusted when lift is being used	* It gives the user more space when trying to slide back